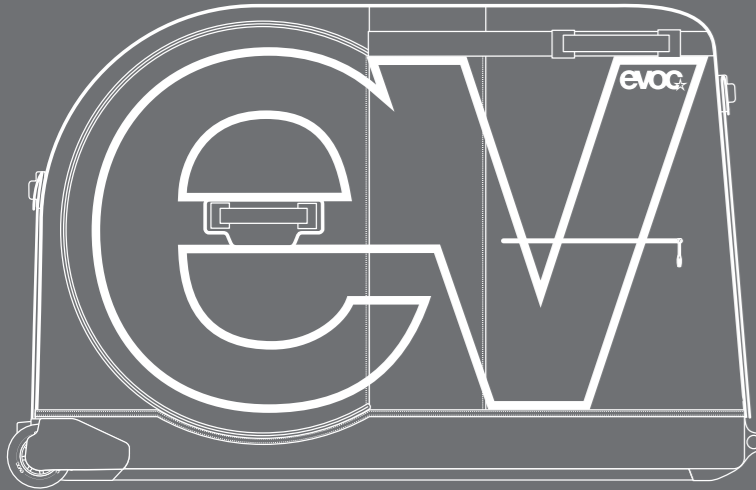




**INSTRUCTION MANUAL FOR PACKING
A MOUNTAINBIKE OR ROADBIKE IN
YOUR BIKE TRAVEL BAG PRO**



TOOLS NEEDED

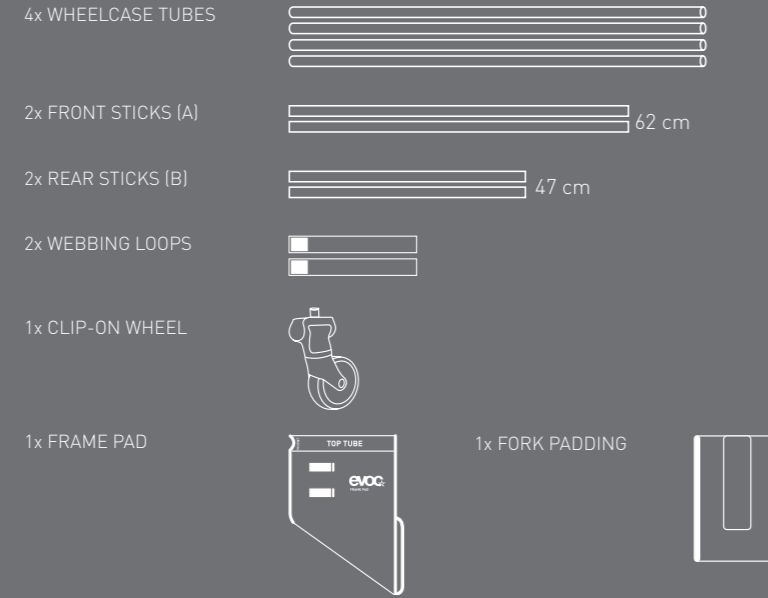


PEDAL WRENCH

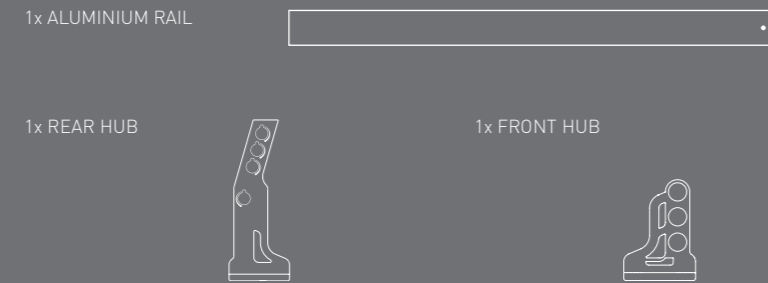


ALLEN KEY

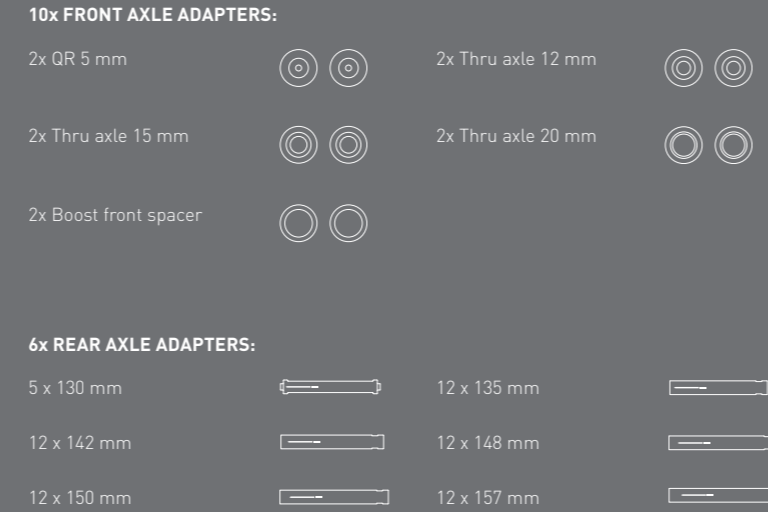
ENCLOSED PARTS BTB PRO



ENCLOSED PARTS BIKE STAND



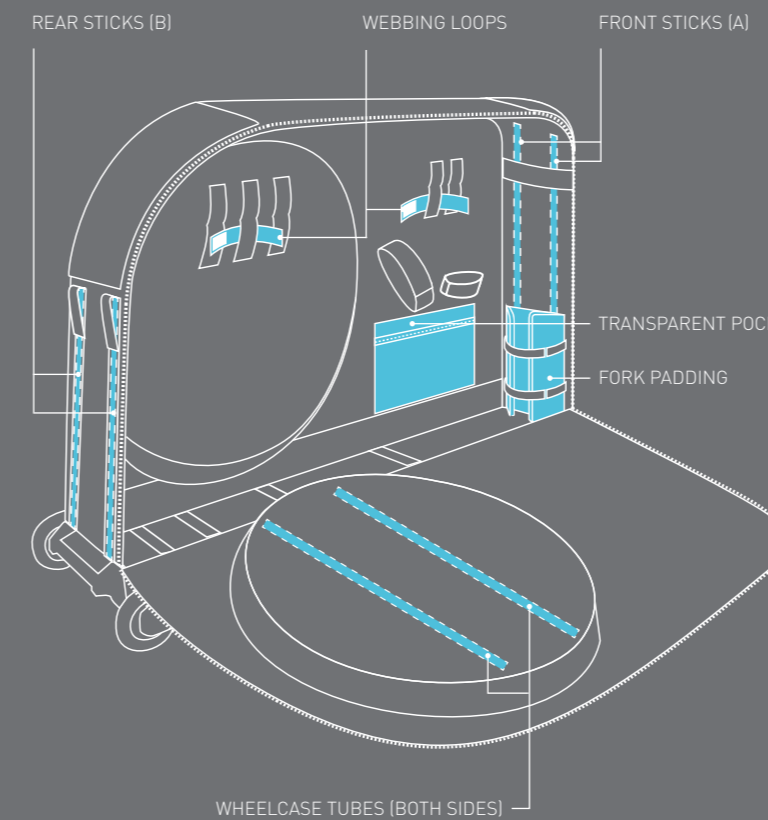
ENCLOSED PARTS BIKE STAND



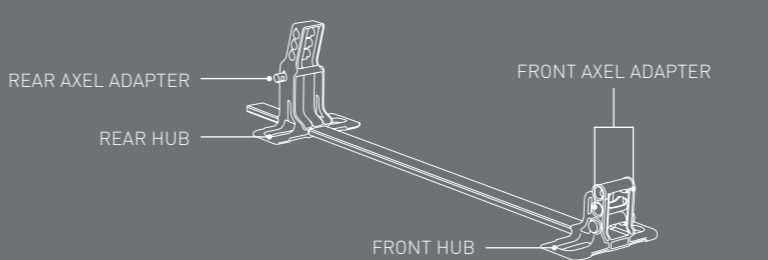
CHOOSING THE RIGHT ADAPTER ACCORDING TO YOUR AXLE

| Front axle adapter | | Rear axle adapter | |
|--------------------------------------|-----------------------|-------------------|-----------------------|
| QR 5 MM | classic quick release | 5 x 130 mm | classic quick release |
| Thru axle 12 mm | | 12 x 135 mm | |
| Thru axle 15 mm | | 12 x 142 mm | |
| Thru axle 15 mm + Boost front spacer | boost standard | 12 x 148 mm | boost standard |
| Thru axle 20 mm | | 12 x 150 mm | |
| | | 12 x 157 mm | |

BIKE TRAVEL BAG PRO

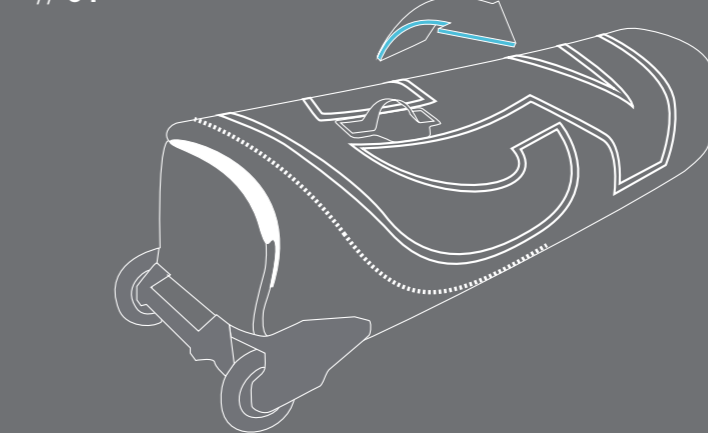


BIKE STAND

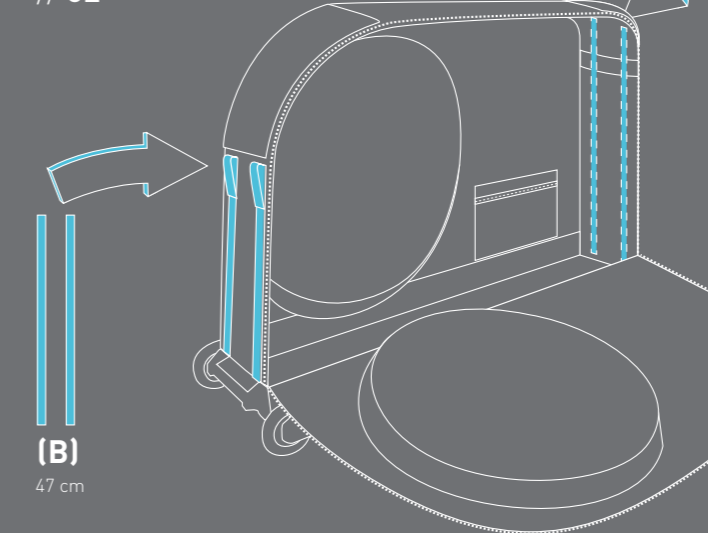


HOW TO ASSEMBLE YOUR BIKE TRAVEL BAG PRO

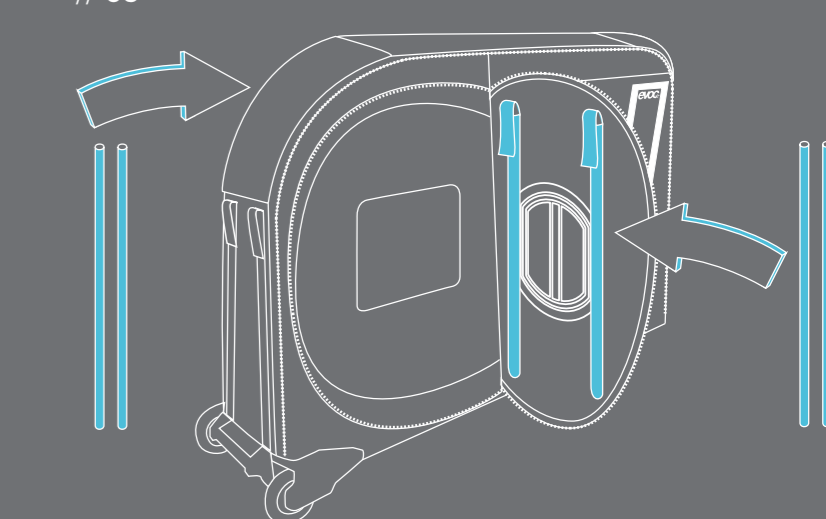
// 01



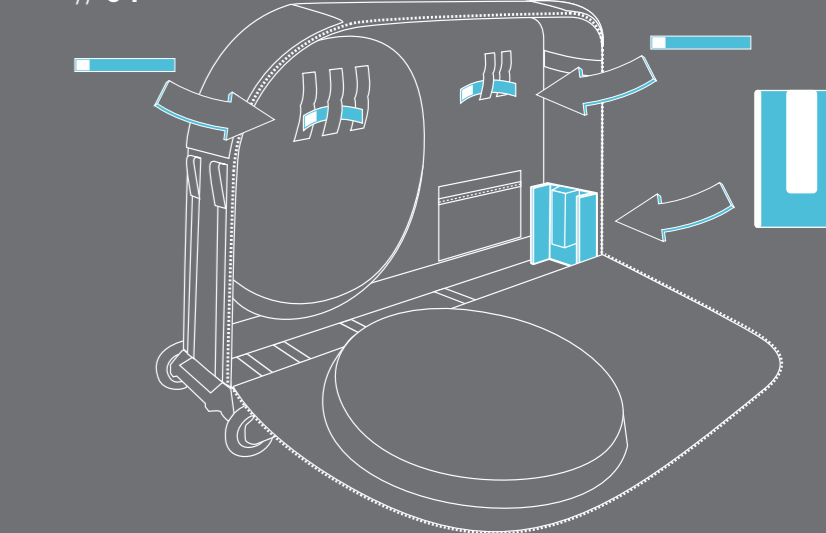
// 02



// 03



// 04

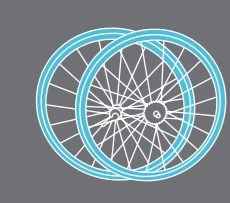



BIKE PREPARATION

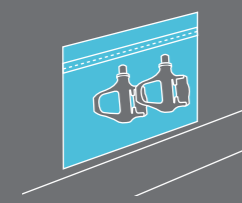
// 05  Add **FRAME PAD**

// 06  Lower in your bicycle saddle

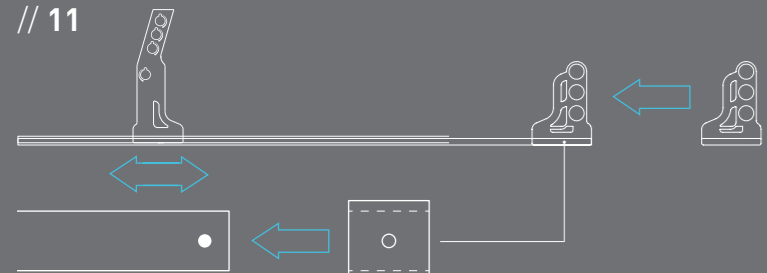
// 07  Chain on smallest sprocket

// 08  Remove both wheels

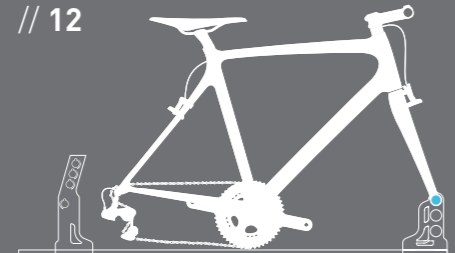
// 09  Remove both pedals

// 10  Put pedals in transparent pocket

HOW TO ASSEMBLE YOUR BIKE STAND

// 11 

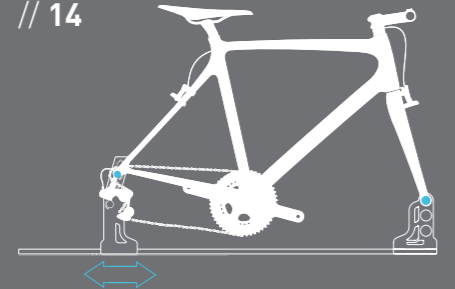
MOUNTING YOUR BIKE ON BIKE STAND (AS SEEN ON ROAD BIKE)

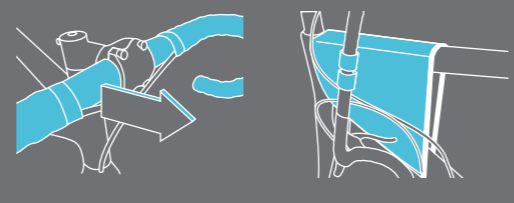
// 12  Place fork on front hub with correct front axle adapters. Tighten your front axle.

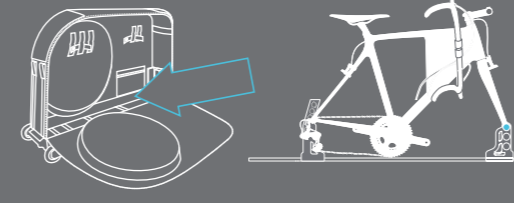
// 13

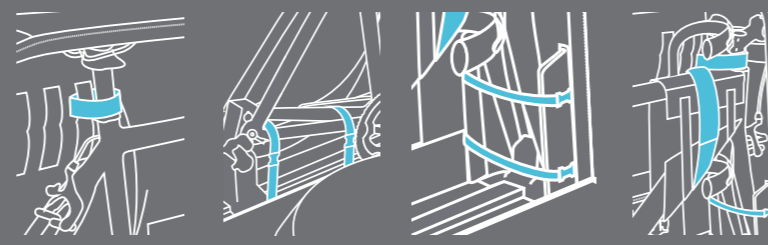


a) Top level (e.g. roadbikes)
b) Mid level
c) Low level (e.g. mountain bikes)

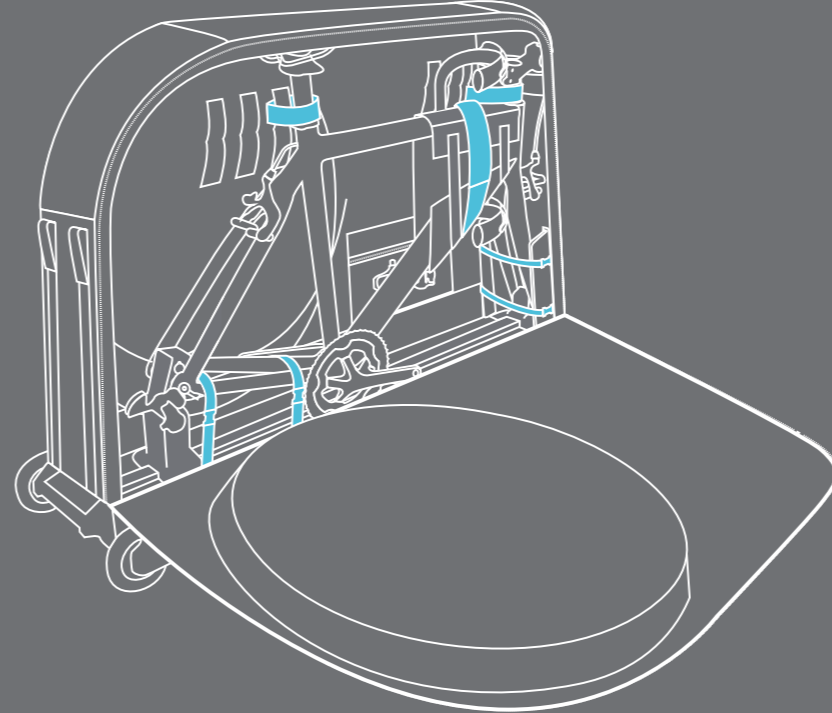
// 14  Adjust position of rear hub according to your wheel base. Place rear drop-outs on rear hub with correct rear axle adapter. Tighten your rear axle. Always choose lowest possible level at rear hub according to chain wheel size.

// 15  Remove handle bar and fix it on **FRAME PAD**

// 16  Place your bike in the **BIKE TRAVEL BAG PRO**

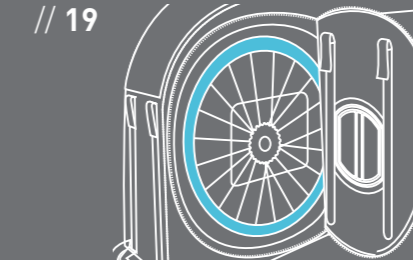
// 17  Fix your bike with red straps

BIKE TRAVEL BAG PRO


// 18 

Looks like this?
Almost done!

BIKE TRAVEL BAG PRO

// 19  Don't forget to put wheels in wheel compartment

HOW TO USE THE CLIP-ON WHEEL

// 20 

Click **CLIP-ON WHEEL** to **ALUMINIUM FRONT HANDLE SYSTEM**. Pin has to go into feed holes!

Remove CLIP-ON WHEEL before luggage drop and put back into **BIKE TRAVEL BAG PRO**

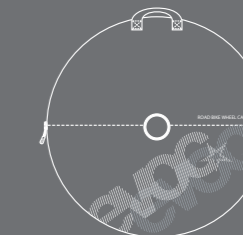
WARRANTY AND AFTER SALES SERVICE



WARRANTY
www.evocsports.com/service/warranty

SEPARATELY AVAILABLE

ROAD BIKE WHEEL CASE



Extra protection for road bike wheels - fit perfectly into the wheel compartments of our **BIKE TRAVEL BAGS**

DATA
 70 x 5 cm / 750 g

BLACK
100506100

CHAIN COVER ROAD

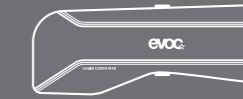


Optimal protection from dirt and damage caused by the bike chain. Fits most road bikes.

DATA
 65 x 27cm / 80g

BLACK
100518100

CHAIN COVER MTB



Optimal protection from dirt and damage caused by the bike chain. Fits most mountain bikes.

DATA
 65 x 20cm / 70g

BLACK
100519100